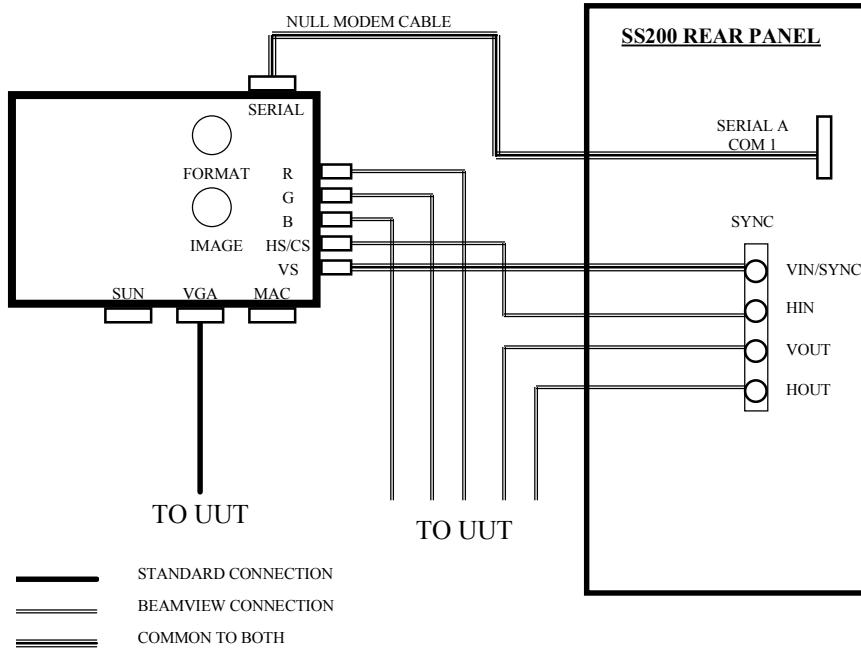


External Pattern Generator Interconnections



The above drawing shows the connections for using the Quantum Data 801 serials generators. To enable the generator, set the "Pattern Generator Version=104" in the main setup. Please record the previous value for future use. This number was factory set for your specific 'internal' pattern generator.